

## XFL212R Miniature Load Cell



- **0-5 to 0-500N [0-1 to 100 Lbf]**
- **Compression**
- **Extremely Flat 0.14"**
- **Diameter Only 0.49"**
- **Integrated Spherical Load Button**
- **For Static and Dynamic Applications**

### DESCRIPTION

The XFL212R series is an extraordinarily thin miniature load cell with a temperature compensation module integrated into the output cable. This design allows Measurement-Specialties to manufacture extremely small sensors without sacrificing thermal zero and sensitivity performance.

The XFL212R measures strain during compression in static and dynamic applications. Unlike sensors with flat force application surfaces, the XFL212R incorporates a spherical load button, which assures more precise loading and in return more accurate measurements. The sensing element is fitted with a fully temperature compensated Wheatstone bridge equipped with high stability micro-machined silicon strain gages. The use of silicon strain gages optimizes its performance at low ranges and frequencies. The sensor is available in aluminum alloy or stainless steel, depending on the full scale range and can withstand considerable overloads.

With many years of experience as a designer and manufacturer of sensors, Measurement Specialties, Inc. often works with customers to design or customize sensors for specific uses and testing environments.

To meet your needs we also offer complete turnkey systems. The matched components (sensor, power, amplifier and digital display) are formatted, calibrated and ready for immediate use.

### FEATURES

- Small size
- Flat sensor
- High Stiffness
- Integrated Spherical Load Button
- Other designs available on request

### APPLICATIONS

- Strain table measurement
- Micro component assembly tools
- Mechanical switches control
- Laboratory

### STANDARD RANGES

<b>F.S. Ranges in N</b>	5 - 10 - 20 - 50 - 100	200 to 500
<b>F.S. Ranges in Lbf</b>	1 - 2 - 4 - 10 - 20	40 to 100
<b>Stiffness in N/m</b>	$1.3 \times 10^5$ to $1.2 \times 10^8$	$1.9 \times 10^8$ to $7.6 \times 10^8$
<b>Stiffness in Lbf/ft</b>	$8.9 \times 10^4$ to $8.2 \times 10^5$	$1.3 \times 10^7$ to $5.2 \times 10^7$
<b>Materials</b>	Aluminium	Stainless Steel

## XFL212R Miniature Load Cell

### PERFORMANCE SPECIFICATIONS

Ambient Temperature:  $20 \pm 1^\circ \text{C}$  (unless otherwise specified)

PARAMETERS	
Operating Temperature Range (OTR)	-40 to 120 °C [-40 to 248 °F]
Compensated Temperature Range (CTR)	0 to 60 °C (32 to 140°F)
Zero Shift in CTR	<2% F.S. /60 °C [108 °F]
Sensitivity Shift in CTR	<2% of reading / 60 °C [108 °F]
Range (F.S.)	0-5 N to 0-500 N [0-1 Lbf to 0-100 Lbf]
<b>Over-Range</b>	
Without Damage	2 x F.S.
Without Destruction	3 x F.S.
<b>Accuracy</b>	
Linearity	$\leq \pm 1\%$ F.S.
Hysteresis	$\leq \pm 1\%$ F.S.

#### Electrical Characteristics

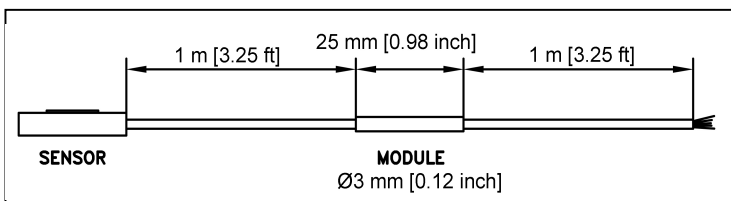
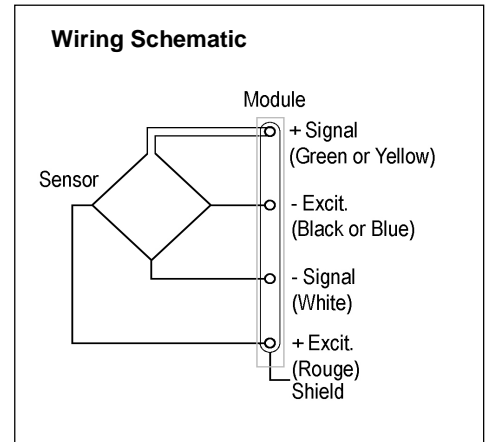
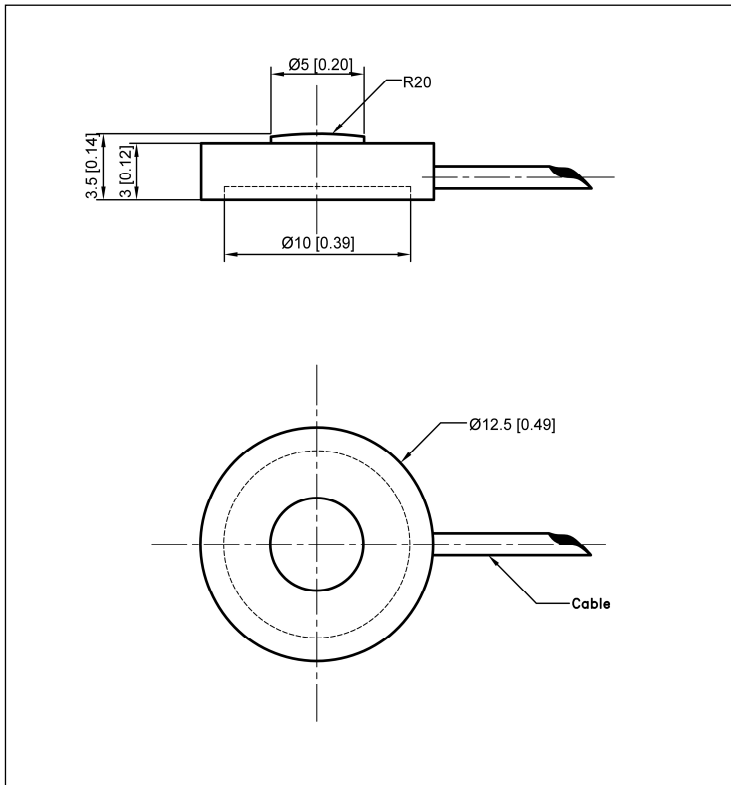
Model	XFL212R
Supply Outage	10Vdc
F.S. Output	100 mV
Zero Offset	$\leq \pm 10$ mV
Input Impedance/Consumption	1000 to 3000Ω
Output Impedance	500 to 1000Ω
Insulation under 50Vdc	$\geq 100\text{M}\Omega$

#### Notes

1. Electrical Termination: Cable: Shielded cable with 4 Teflon wires (AWG36), standard length 2 m [6.5 ft] ; Compensation module at 1 m [3.25 ft] from transducer
2. Material: Body in stainless steel or aluminum alloy
3. Protection Index: IP50

# XFL212R Miniature Load Cell

## DIMENSIONS & WIRING SCHEMATIC (IN METRIC AND IMPERIAL)



Dimensions in mm [inch]

### Mechanical Characteristics

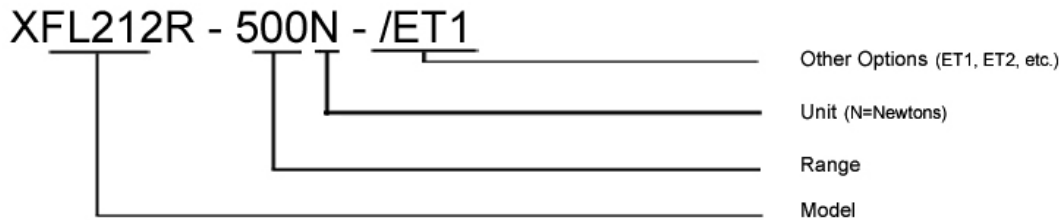
F. S. Ranges In N [in Lbf]	5 - 10 - 20 - 50 - 100 [1 - 2 - 4 - 10 - 20]	200 - 500 [40 - 100]
Material	Aluminium	Stainless steel
Stiffness in N/m	$1.3 \times 10^5$ to $1.2 \times 10^8$	$1.9 \times 10^8$ to $7.6 \times 10^8$
Stiffness in Lbf/ft	$8.9 \times 10^4$ to $8.2 \times 10^5$	$1.3 \times 10^7$ to $5.2 \times 10^7$

## XFL212R Miniature Load Cell

### OPTIONS

<b>ET1</b> : CTR -20 to 100 °C [-4 to 212 °F]
<b>ET2</b> : CTR -40 to 120 °C [-40 to 248 °F]
<b>ET3</b> : CTR -40 to 150 °C [-40 to 302 °F] OTR=CTR (sta inless steel only)
<b>LC"x"</b> : Additional cable length to standard length (in m) ( <b>Note</b> : "X" = Custom value)
* Order Flat Force application surface with reference XFL205.

### ORDERING INFO



#### NORTH AMERICA

Measurement Specialties  
45738 Northport Loop West  
Fremont, CA 94538  
USA  
Tel: 1-800-767-1888  
Fax: 1-510-498-1578  
[pfg.cs.amer@meas-spec.com](mailto:pfg.cs.amer@meas-spec.com)

#### EUROPE

Measurement Specialties  
(Europe), Ltd.  
26 Rue des Dames  
78340 Les Clayes-sous-Bois,  
France  
Tel: +33 (0) 130 79 33 00  
Fax: +33 (0) 134 81 03 59  
[pfg.cs.emea@meas-spec.com](mailto:pfg.cs.emea@meas-spec.com)

#### ASIA

北京赛斯维测控技术有限公司  
北京市朝阳区望京西路48号  
金隅国际C座1002  
电话 : + 86 010 8477 5646  
传真 : + 86 010 5894 9029  
邮箱 : [sales@sensorway.cn](mailto:sales@sensorway.cn)  
<http://www.sensorway.cn>

The information in this sheet has been carefully reviewed and is believed to be accurate; however, no responsibility is assumed for inaccuracies. Furthermore, this information does not convey to the purchaser of such devices any license under the patent rights to the manufacturer. Measurement Specialties, Inc. reserves the right to make changes without further notice to any product herein. Measurement Specialties, Inc. makes no warranty, representation or guarantee regarding the suitability of its product for any particular purpose, nor does Measurement Specialties, Inc. assume any liability arising out of the application or use of any product or circuit and specifically disclaims any and all liability, including without limitation consequential or incidental damages. Typical parameters can and do vary in different applications. All operating parameters must be validated for each customer application by customer's technical experts. Measurement Specialties, Inc. does not convey any license under its patent rights nor the rights of others.