



中国

北京赛斯维测控技术有限公司
 北京市朝阳区望京西路48号
 金隅国际C座1002
 电话：+86 010 8477 5646
 传真：+86 010 5894 9029
 邮箱：sales@sensorway.cn

NX1 CiTiceL[®] (Rev 4)

For BAR 97 grade markets

Performance Characteristics

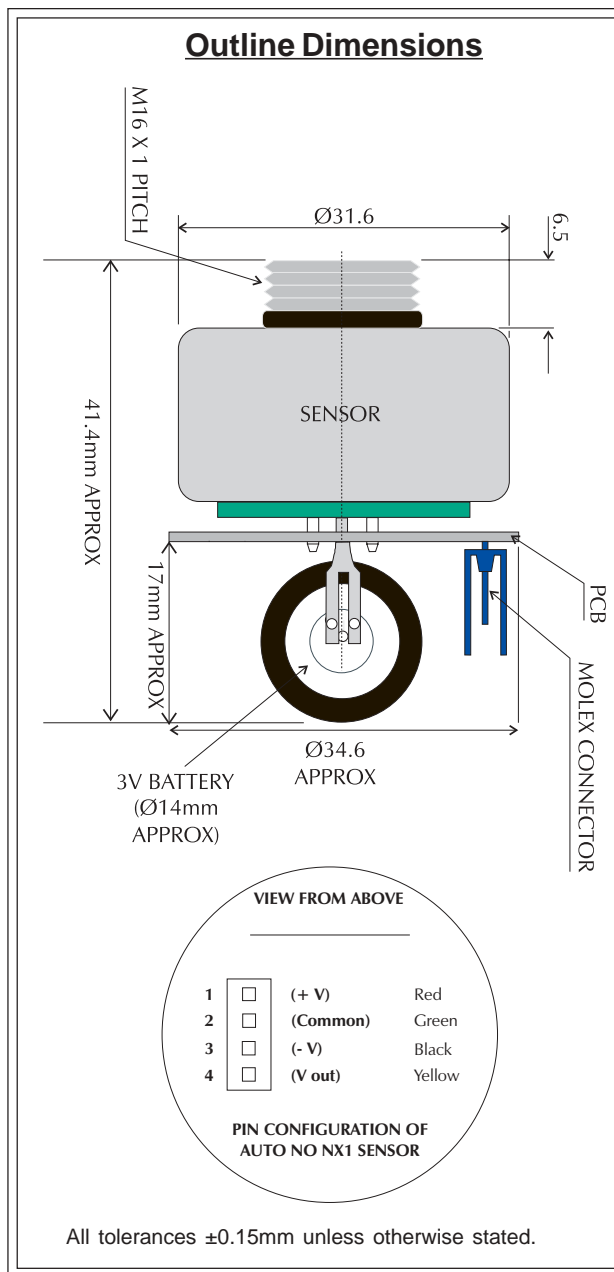
Nominal Range	0-5000ppm
Inboard Filter	To remove effect of SO ₂ in gas stream
Output Signal	0.05 ± 0.01 µA/ppm
Resolution	1ppm
Temperature Range	-20°C to +50°C
Pressure Range	800 to 1100 mBar
Pressure Coefficient	0.02% signal/mBar
T₉₅ Response Time*	≤5.5 seconds
T₉₀ Response Time*	≤4.5 seconds
Relative Humidity Range	15 to 90% non-condensing
Typical Baseline Range (pure air)	0 to +12ppm equivalent
Maximum Zero Shift (0°C to +40°C)	<30ppm equivalent
Long Term Output Drift	Typically <5% signal loss/year
Recommended Load Resistor	10 Ω
Bias Voltage	+300mV
Repeatability	2% of signal
Output Linearity	Linear

* Prolonged exposure to high or low humidity may lead to an increased Response Time

N.B. All performance data is based on conditions at 20°C, 50%RH, and 1013mBar

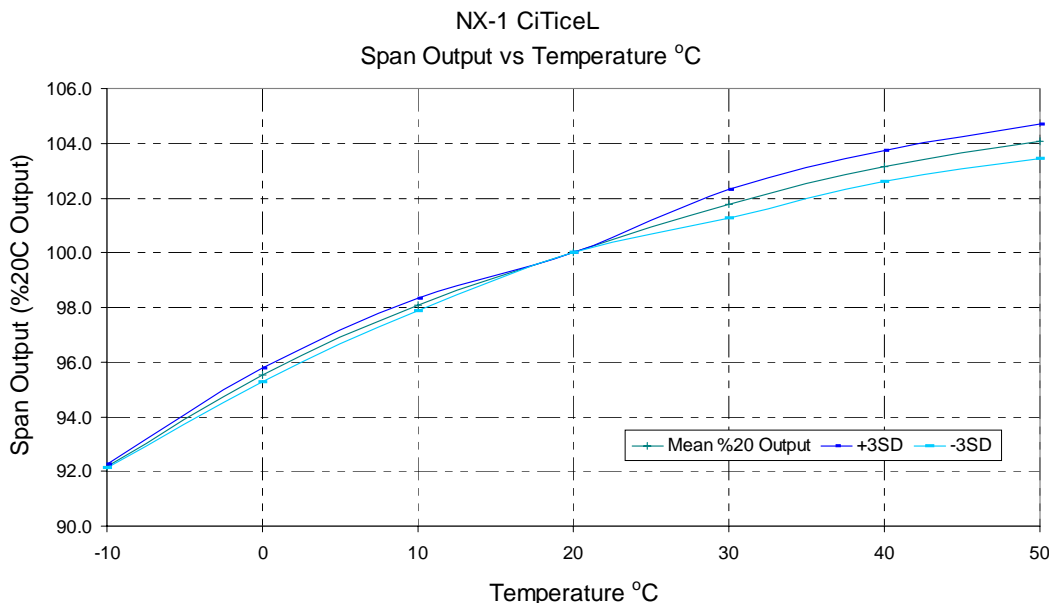
Physical Characteristics

Weight	32g
Position Sensitivity	None
Storage Life	Six months in CTL container
Recommended Storage Temperature	0°C to 25°C in CTL packaging
Warranty Period	15 months from date of despatch



Automotive NX1 CiTiceL [®] Part Details	
MOLEX HEADER (0.100"/2.54mm)	Molex Part Number 22-29-2041
CRIMP TERMINAL HOUSING (MATING PART)	Molex Part Number 22-01-2045

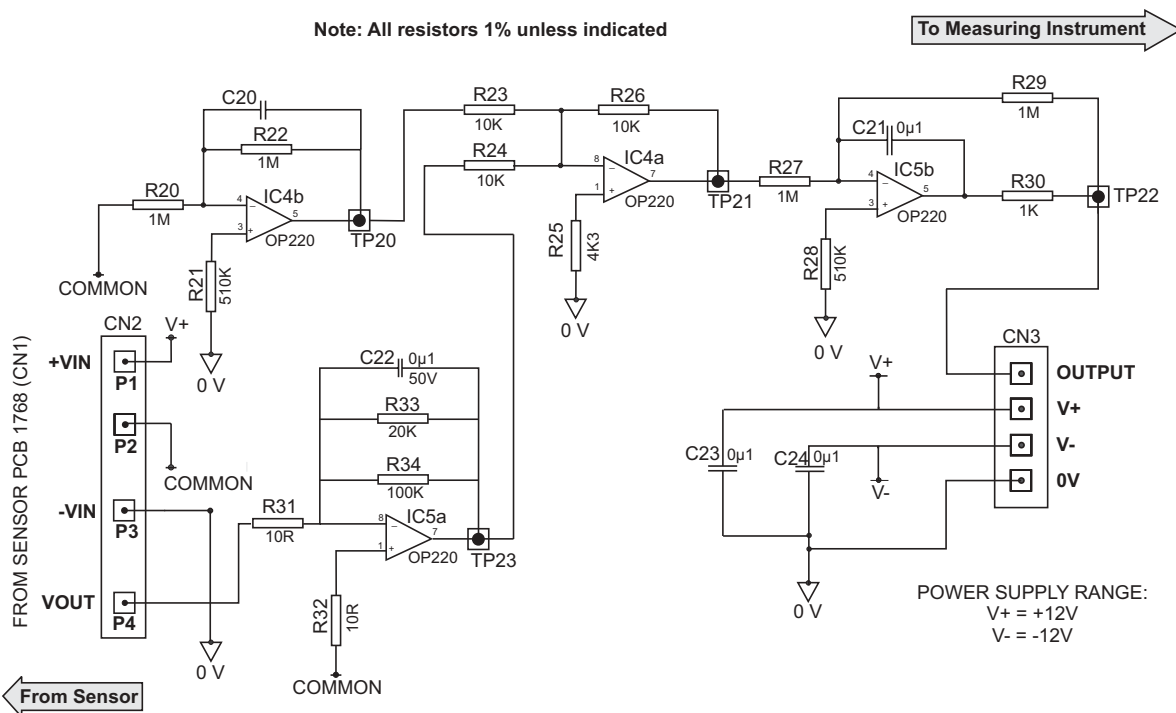
Nitric Oxide CiTiceL[®] Specification



Recommended External Circuit for Sensor

This diagram shows the recommended operating circuit for the NX1 CiTiceL, designed to give an output of 0-5V over the range 0-5000ppm, where the sensitivity is 60nA/ppm.

Note: All resistors 1% unless indicated



Every effort has been made to ensure the accuracy of this document at the time of printing. In accordance with the company's policy of continued product improvement City Technology Limited reserves the right to make product changes without notice. No liability is accepted for any consequential losses, injury or damage resulting from the use of this document or from any omissions or errors herein. The data is given for guidance only. It does not constitute a specification or an offer for sale. The products are always subject to a programme of improvement and testing which may result in some changes in the characteristics quoted. As the products may be used by the client in circumstances beyond the knowledge and control of City Technology Limited, we cannot give any warranty as to the relevance of these particulars to an application. It is the clients' responsibility to carry out the necessary tests to determine the usefulness of the products and to ensure their safety of operation in a particular application.

Performance characteristics on this data sheet outline the performance of newly supplied sensors. Output signal can drift below the lower limit over time.