

# Model 3801A Accelerometer

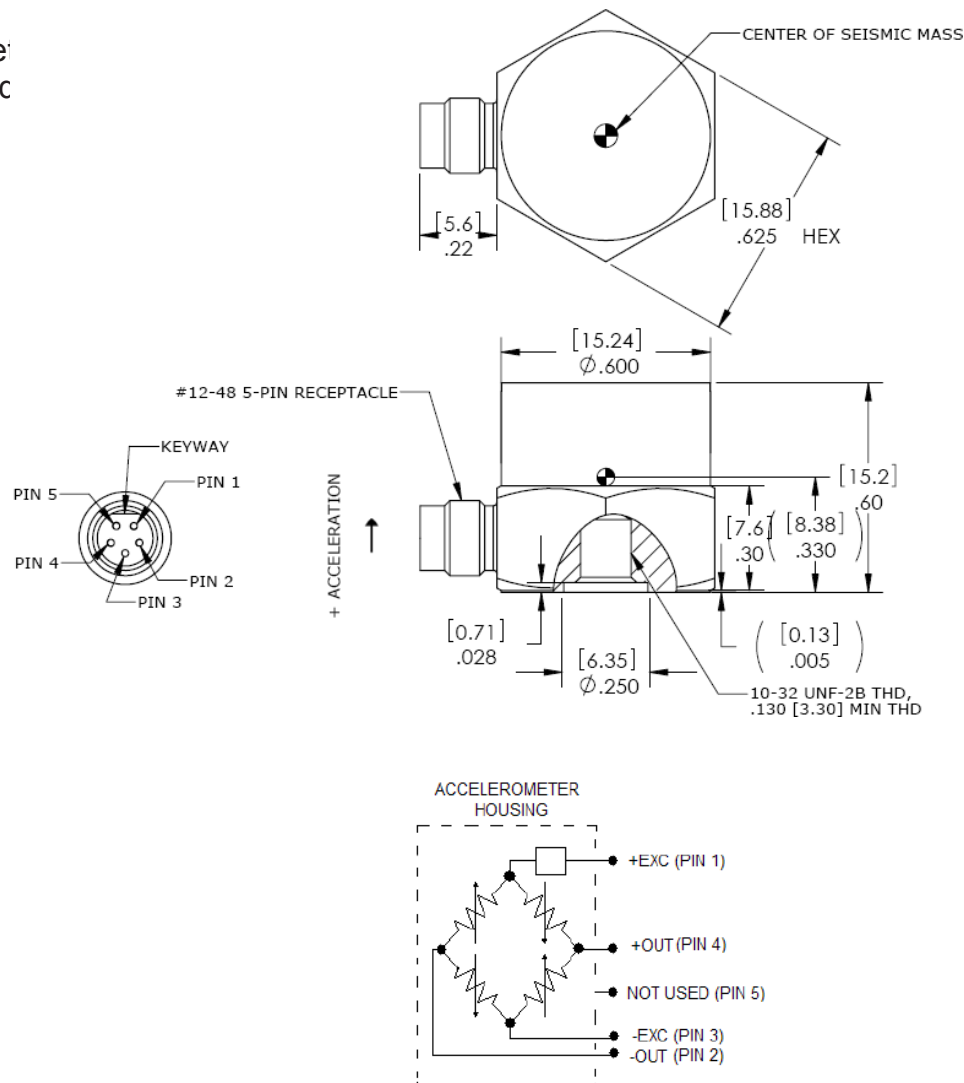


Gas Damped, DC Response  
Hermetically Sealed  
mV Output  
10,000g Over-Range Protection

The **Model 3801A** is a mV output piezoresistive MEMS accelerometer in a rugged welded hermetic package. The accelerometer incorporates mechanical stops for over-range protection up to greater than 10,000g. The model 3801A is offered in ranges from  $\pm 2$  to  $\pm 2000g$  and is gas damped to provide a wide frequency response. The accelerometer is temperature compensated to provide a stable output over the operating environment.



## dimensions



## FEATURES

- $\pm 2g$  to  $\pm 2000g$  Dynamic Range
- 10,000g Shock Protection
- Hermetically Sealed
- Gas Damping
- mV Output
- DC Response
- Stud Mounting

## APPLICATIONS

- Impact Testing
- Structural Testing
- Test and Instrumentation
- Environmental Testing
- Vehicle Testing

# Model 3801A Accelerometer

## performance specifications

All values are typical at +24°C, 100Hz and 10Vdc excitation unless otherwise stated. Measurement Specialties reserves the right to update and change these specifications without notice. Standard product parameters are described in PSC-1004 for Plug & Play DC Accelerometers.

### Parameters

#### DYNAMIC

	±2	±10	±20	±50	±100	±200	±500	±2000	Notes
Range (g)	±2	±10	±20	±50	±100	±200	±500	±2000	
Sensitivity (mV/g)	12	6	3	1.5	0.7	0.7	0.3	0.1	@10Vdc Excitation
Frequency Response (Hz)	0-100	0-300	0-400	0-800	0-1300	0-1500	0-2500	0-4000	±5% <sup>1</sup>
Frequency Response (Hz)	0-200	0-400	0-500	0-1000	0-1500	0-1800	0-3000	0-5000	±1dB
Natural Frequency (Hz)	700	1000	1500	4000	6000	7000	8000	10000	
Non-Linearity (%FSO)	±1.0	±1.0	±1.0	±1.0	±1.0	±1.0	±1.0	±1.0	
Transverse Sensitivity (%)	<3	<3	<3	<3	<3	<3	<3	<3	
Damping Ratio	0.7	0.7	0.7	0.7	0.7	0.6	0.5	0.3	
Shock Limit (g)	10000	10000	10000	10000	10000	10000	10000	10000	

#### ELECTRICAL

Zero Acceleration Output (mV)	±25	±25	±25	±25	±25	±25	±25	±25	Differential
Excitation Voltage (Vdc)	5 to 10	5 to 10	5 to 10	5 to 10	5 to 10	5 to 10	5 to 10	5 to 10	
Input Resistance (kΩ)	4 to 10	4 to 10	4 to 10	4 to 10	4 to 10	4 to 10	4 to 10	4 to 10	
Output Resistance (kΩ)	2.4 to 4.8	2.4 to 4.8	2.4 to 4.8	2.4 to 4.8	2.4 to 4.8	2.4 to 4.8	2.4 to 4.8	2.4 to 4.8	
Insulation Resistance (MΩ)	>100	>100	>100	>100	>100	>100	>100	>100	@100Vdc
Residual Noise (µV RMS)	10	10	10	10	10	10	10	10	Maximum
Ground Isolation	Isolated from Mounting Surface								

#### ENVIRONMENTAL

Thermal Zero Shift (%FSO/°C)	±0.04	±0.04	±0.04	±0.04	±0.04	±0.04	±0.04	±0.04
Thermal Sensitivity Shift (%/°C)	±0.05	±0.05	±0.05	±0.05	±0.05	±0.05	±0.05	±0.05
Operating Temperature (°C)	-55 to +125							
Compensated Temperature (°C)	-20 to +85							
Storage Temperature (°C)	-55 to +125							

#### PHYSICAL

Case Material	Stainless Steel
Weight (grams)	20
Mounting	#10-32 to #10-32 Mounting Stud (included)
Mounting Torque	18 lb-in (2.0 N-m)

**Wiring color code:** +Excitation = Pin 1; -Excitation = Pin 3; +Output = Pin 4; -Output = Pin 2  
(Pin 5 is not used)

**Calibration supplied:** CS-FREQ-0100 NIST Traceable Amplitude Calibration from 20Hz to ±5% Frequency Response Limit<sup>1</sup>

**Supplied accessories:** AC-D02298 10-32 to 10-32 mounting stud

**Optional accessories:** 340A-XXX Cable Assembly, #28 AWG, -54 to +121°C (XXX designates length in inches, 5ft standard)  
343-XXX Cable Assembly, #28 AWG, -40 to +85°C (XXX designates length in inches, 5ft standard)  
101 Three Channel DC Signal Conditioner Amplifier

The information in this sheet has been carefully reviewed and is believed to be accurate; however, no responsibility is assumed for inaccuracies. Furthermore, this information does not convey to the purchaser of such devices any license under the patent rights to the manufacturer. Measurement Specialties, Inc. reserves the right to make changes without further notice to any product herein. Measurement Specialties, Inc. makes no warranty, representation or guarantee regarding the suitability of its product for any particular purpose, nor does Measurement Specialties, Inc. assume any liability arising out of the application or use of any product or circuit and specifically disclaims any and all liability, including without limitation consequential or incidental damages. Typical parameters can and do vary in different applications. All operating parameters must be validated for each customer application by customer's technical experts. Measurement Specialties, Inc. does not convey any license under its patent rights nor the rights of others.

## ordering info

PART NUMBERING Model Number+Range  
3801A-GGGG  
|  
| \_\_\_\_\_ Range (0100 is 100 g)

Example: 3801A-0100  
Model 3801A, 100g

北京赛斯维测控技术有限公司  
北京市朝阳区望京西路48号  
金隅国际C座1002  
电话: +86 010 8477 5646  
传真: +86 010 5894 9029  
邮箱: [sales@sensorway.cn](mailto:sales@sensorway.cn)  
http://www.sensorway.cn